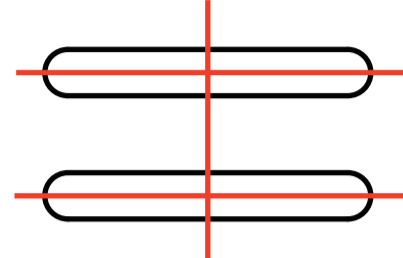
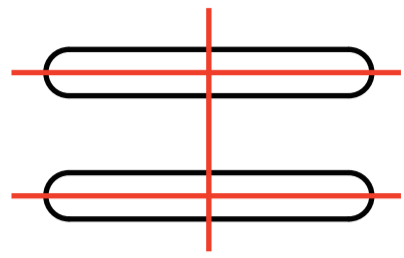


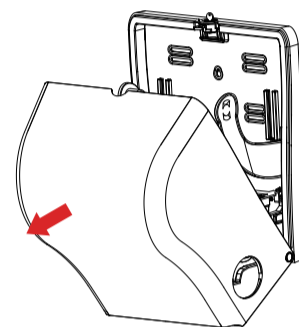
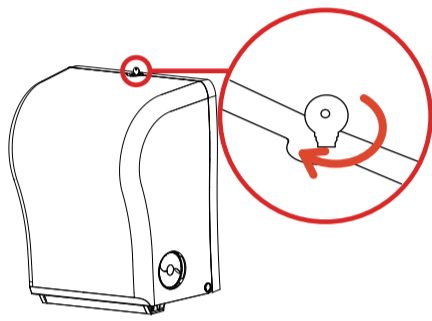


## Mounting Template



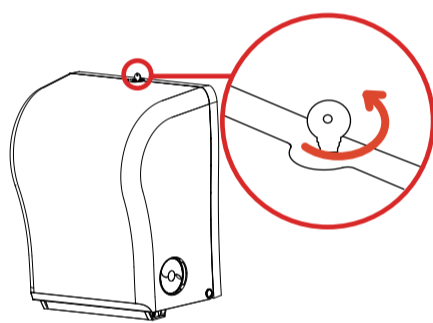
### Screw kits:

Key	1pc
Screw	4pcs
Plastic wall anchors	4pcs

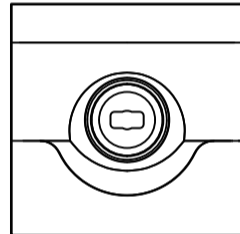


### Tools:

- Protective Eyewear
- Power Drill with appropriate drill size
- Pencil
- Screwdriver
- Tape Measure

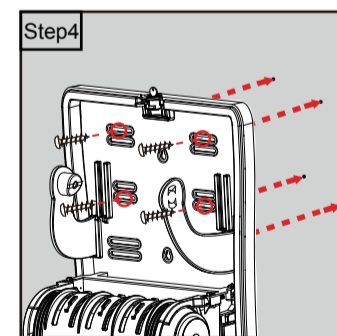
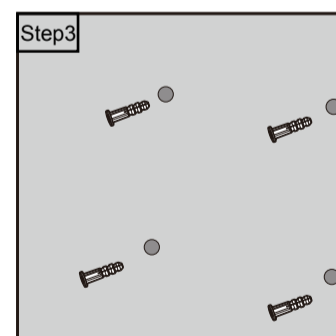
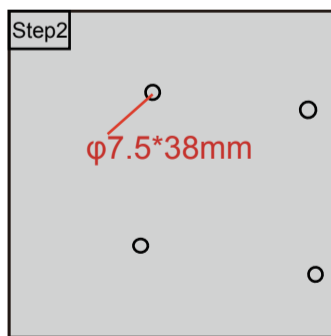
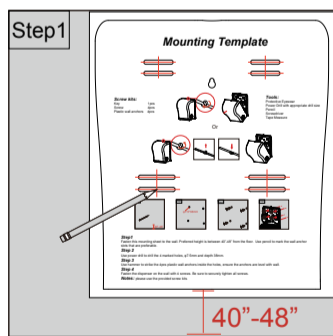
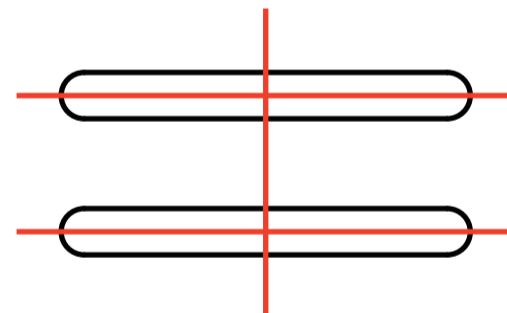
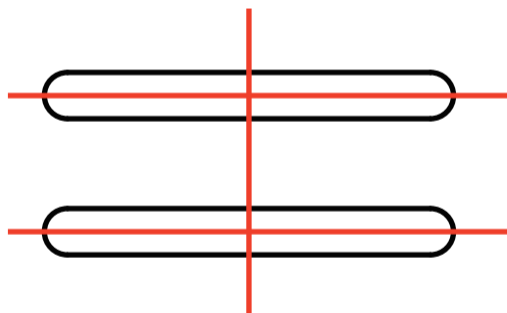
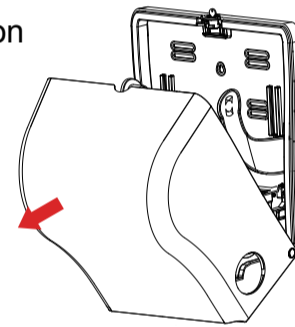
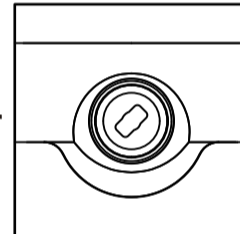


Keyed Operation



Push Button Operation

Or



### Step 1

Fasten this mounting sheet to the wall. Preferred height is between 40"-48" from the floor. Use pencil to mark the wall anchor slots that are preferable.

### Step 2

Use power drill to drill the 4 marked holes,  $\phi 7.5\text{mm}$  and depth 38mm.

### Step 3

Use hammer to strike the 4pcs plastic wall anchors inside the holes, ensure the anchors are level with wall.

### Step 4

Fasten the dispenser on the wall with 4 screws. Be sure to securely tighten all screws.

**Notes:** please use the provided screw kits.