

LOADING INSTRUCTIONS

Mini-Jumbo Twin Tissue Dispenser



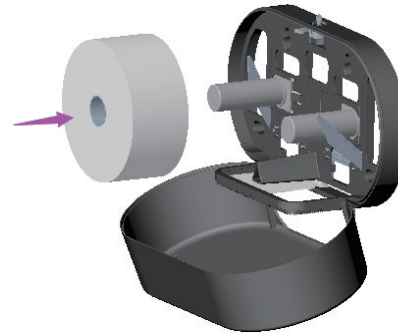
Step 1-

Insert key into lock located at the top of the dispenser. Open front cover of the dispenser being careful not to allow front cover to drop freely.



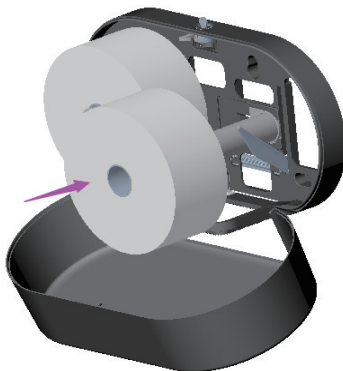
Step 2-

Position bottom sliding door either to the right or left position.



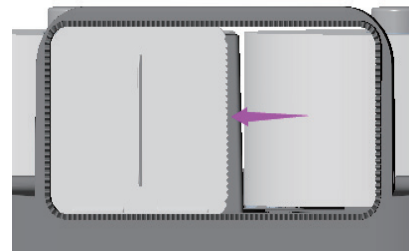
Step 3-

Load each roll of toilet paper onto spindles ensuring that the leading edge of tissue from each roll is directed down the middle of the bottom dispenser opening.

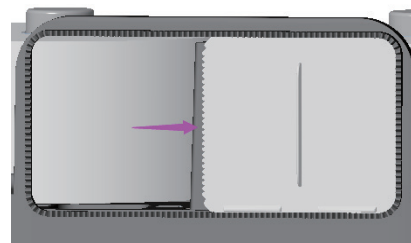


Step 4-

Before closing the front cover, locate the bottom sliding door in the desired starting position (left side justified, or right side justified).



Or



Step 5-

Securely close the front cover of the dispenser and ensure that lock latch is secure. The dispenser is now ready to dispense paper. Simply pull the paper from the bottom of the dispenser to obtain paper.

